

<R42-289-0>

# *Service Manual*

**SPEAKER SYSTEM**

**CS-R500**

**PIONEER®**

<72H02M01K>

## 2. CS-R500

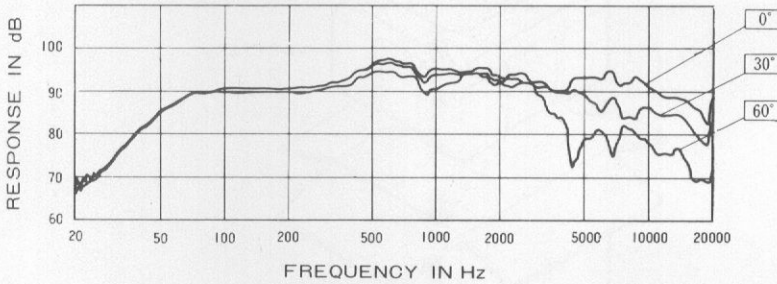
### 2.1 SPECIFICATIONS

Enclosure	Bass-reflex type
System	3-way 3-speaker system
Speakers;	
Woofer	25cm (10 in.) cone type
Mid Range	12cm (5 in.) cone type
Tweeter	Horn type
Frequency Range	35Hz to 20,000Hz
Input Impedance	8 $\Omega$
Sensitivity	91dB/W at 1 m distance
Max. Input Power	60W
Crossover Frequencies:	Lows – Mid range      650Hz Mid range – Highs    6,000Hz
External Dimensions	350(W) x 610(H) x 306(D) mm 13-25/32(W) x 24(H) x 12-1/32(D) in.
Weight	18.5kg (40lb 13oz)

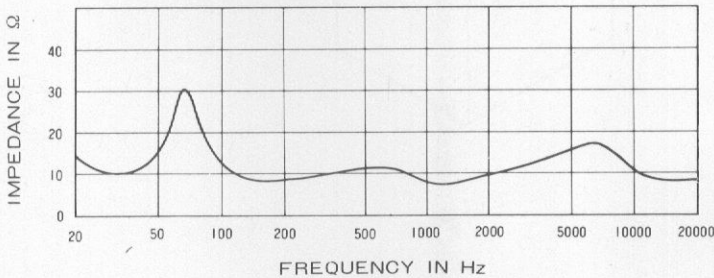


*NOTE: Specifications and the design subject to possible modification without notice due to improvements.*

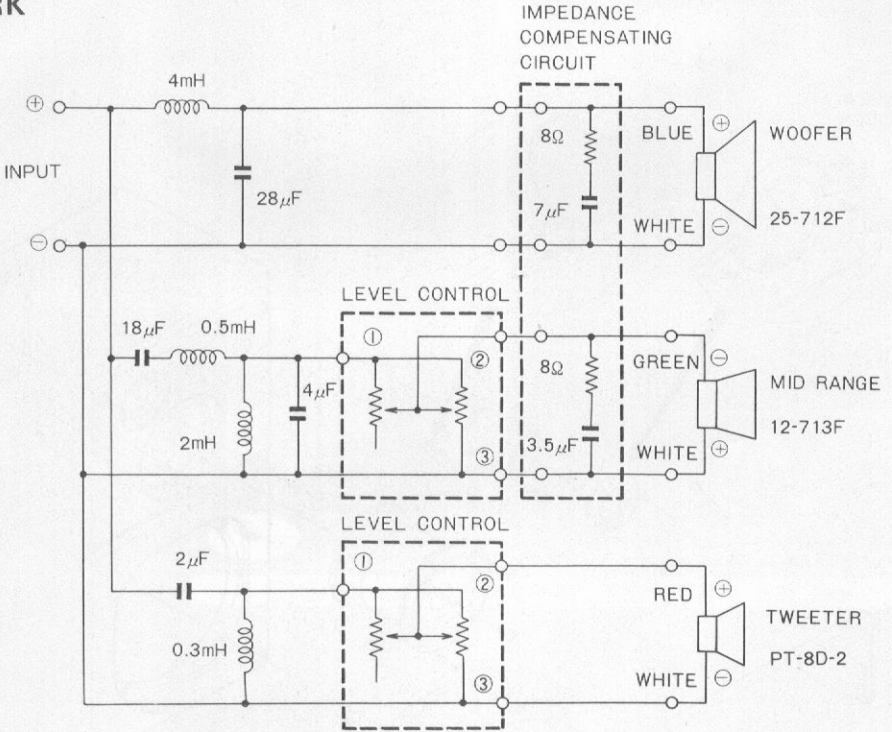
### DIRECTIONAL FREQUENCY RESPONSE



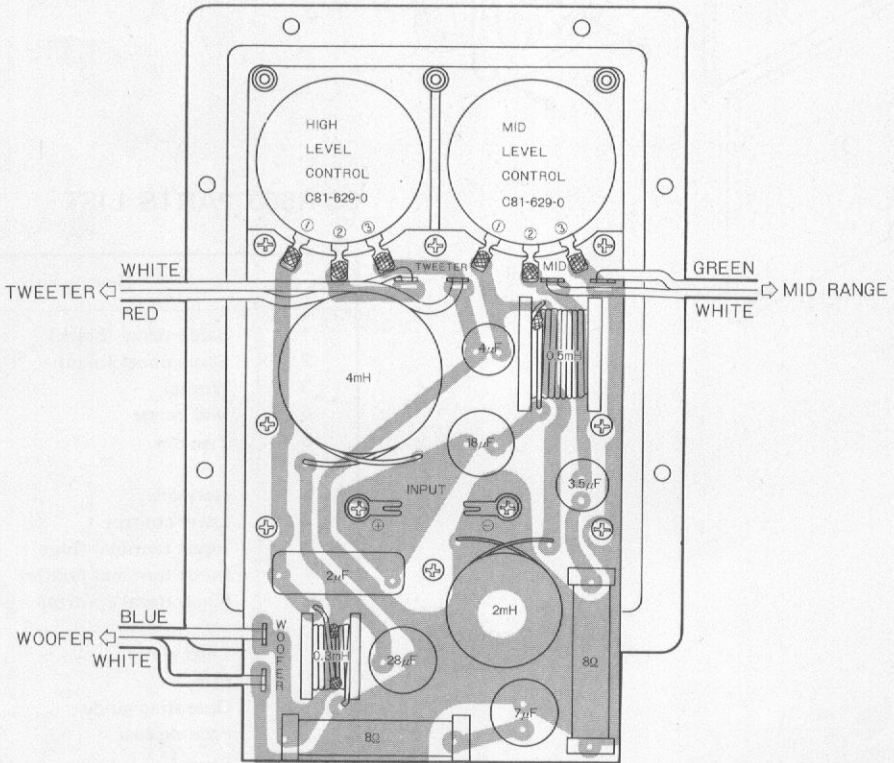
### CHARACTERISTICS OF IMPEDANCE



2.2 NETWORK  
CIRCUIT

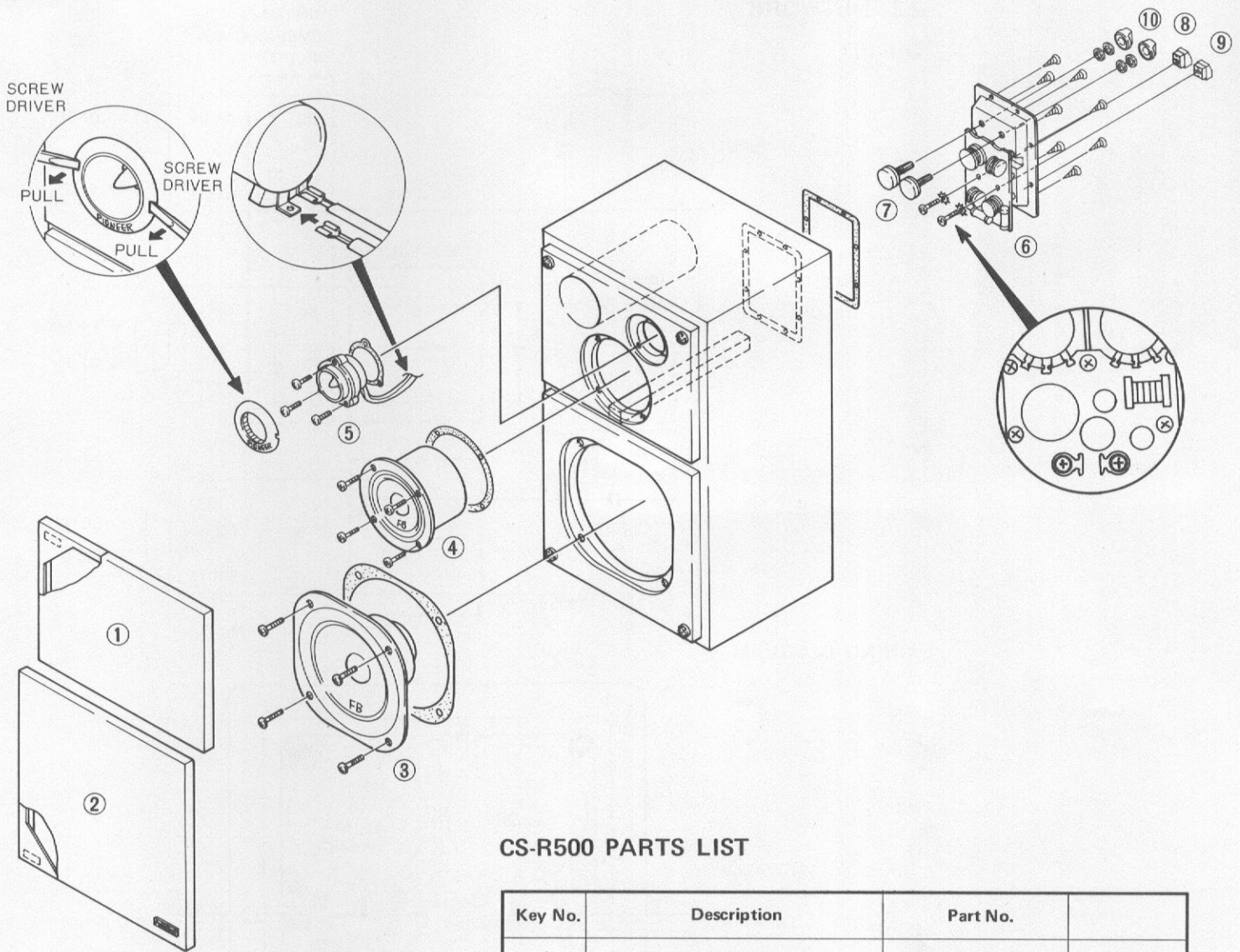


WIRING DIAGRAM





## 2.3 EXPLODED VIEW AND PARTS LIST



### CS-R500 PARTS LIST

Key No.	Description	Part No.	
1	Saran panel (black)	SXB-054-0	
2	Saran panel (blue)	SXB-055-0	
3	Woofer	25-712F	
4	Mid range	12-713F	
5	Tweeter	PT-8D-2	
6	Network	SWN-030-0	
7	Level control	C81-629-0	
8	Input terminal (blue)	SKC-012-0	
9	Input terminal (white)	SKC-012-A	
10	Knob (level control)	SAA-005-0	
	Lead wire	D51-603-A	
	Pad	E11-048-A	
	Operating guide	SRB-036-0	
	Packing case	SHG-048-A	
	Styrol	SHA-021-0	

